



STACKABLE CHAIRS

Nora

Design by **Miguel Angel Ciganda**

Small armchair. Structure in 30mm thick Birch plywood, matt varnished, and profile of 30x15mm powdercoated steel. One piece seat/backrest in varnished Beech plywood or upholstered in fabric and leather.



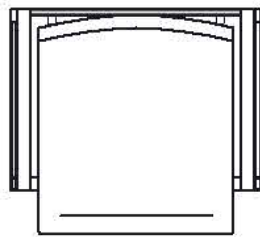
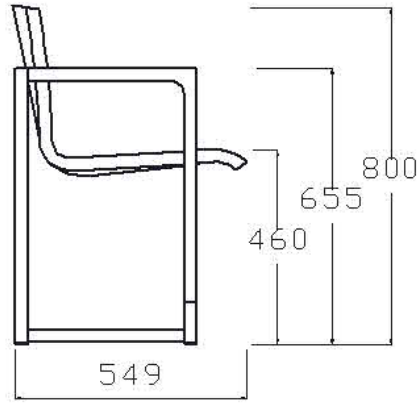
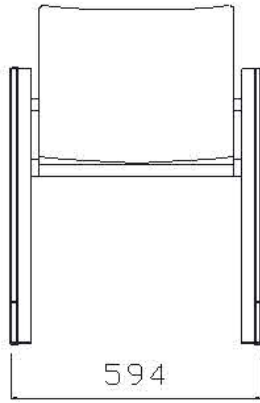
Up to:

100 %

Environmental Product Declaration +
LEED Contribution



Dimensions





ISO 9001



ISO 14001

Ecodiseño
UNE 150.301:2003
Ecodesign



ISO 150.301:2003

AKABA S.A. Atallu kalea- 14-16 - 20170
USURBIL . GIPUZKOA - SPAIN
Tel + 34 943 37 22 11 Fax. +34 943 37 10 52
www.akaba.net. email: akaba@akaba.net